

Version:
July 31, 2017



TOKEN

(TC1213)

Low DCR Large Current Inductor

Token Electronics Industry Co., Ltd.

Taiwan: No.137, Sec. 1, Zhongxing Rd., Wugu District,
New Taipei City, Taiwan, R.O.C. 24872
Tel: +886 2981 0109 Fax: +886 2988 7487

China: 12F, Zhong Xing Industry Bld., Chuang Ye Road,
Nan Shan District, Shen Zhen City,
Guang Dong, China 518054
Tel: +86 755 26055363; Fax: +86 755 26055365

[Web: www.token.com.tw](http://www.token.com.tw)

[Email: rfq@token.com.tw](mailto:rfq@token.com.tw)



▶ Product Introduction

Token develops high-efficiency coiled power inductors with large current and low DCR.

Features :

- Large Current and Low DCR.

Applications :

- Mother Board of PC.
- Mother Board of Notebook.

Token Develops High-Efficiency Coiled Power Inductors with Large Current and Low DCR. Token has announced a wire-wound power inductor designed for use in the Mother Board of PC and Notebook and various other power devices. The TC1213, measures only 14.0 × 14.5 mm, with a maximum height of 9.5 mm.

Most conventional DC-DC converters use inductors with cores made of relatively expensive metallic materials. By contrast, this product, with a ferrite material, realizes the same DC bias characteristics and other performance features as same-size inductors made with more expensive materials. The TC1213 offers customers much greater design freedom with large current and low DCR by meeting the need to replace power inductors.

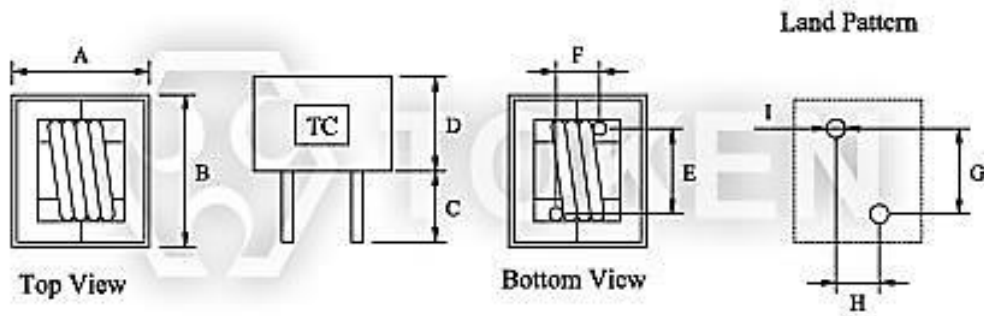
Full line products meet RoHS compliant. Token will also produce devices outside these specifications to meet specific customer requirements, contact us with your specific needs. For more information, please link to Token official website "[Through Hole Inductors](http://www.token.com.tw)".



Configurations & Dimensions

Configurations & Dimensions (Unit: mm) (TC1213)

Type	A(max)	B(max)	C ± 1.0	D(max)	E(Ref.)	F(Ref.)	G	H	I
TC1213	14.0	14.5	5.0	9.5	7.0	5.0	7.5	5.5	1.8
TC1213A	14.0	14.5	5.0	9.5	7.0	5.0	7.5	5.5	1.8
TC1213B	14.5	14.5	5.0	9.5	7.0	5.0	7.5	5.5	1.8



High Current Wire wounds (TC1213) Dimensions

- Note: Design as Customer's Requested Specifications.

Electrical Characteristics

Electrical Characteristics (TC1213)

Part Number	Inductance(μH)	Test Freq.(KHz)	DCR (Ω)(max)	Peak Current (A) (max)	I _{rms} (A)(max)
TC1213 - R68N	0.68	100	0.0015	40.00	20.00
TC1213A - R33N	0.33	100	0.0015	40.00	20.00
TC1213B - 1R0N	1.00	100	0.0015	35.00	20.00

Note:

- Test Freq.: 100KHz / 0.1V.
- Operating Temp.: -40°C ~ +85°C
- Inductance drop = 10% typ. at Peak Current.
- ΔT=40°C rise at I_{rms}.

Order Codes

Order Codes (TC1213)

TC1213B	-	1R0	N
Part Number		Inductance	Tolerance
TC1213		R68	0.68μH
TC1213A		1R0	1.00μH
TC1213B			N
			30%

► General Information**Leading-Edge Technology**

Token Electronics brand passive component specializes in standard and custom solutions offering the latest in state-of-the-art low profile high power density inductor components. Token provides cost-effective, comprehensive solutions that meet the evolving needs of technology-driven markets. In working closely with the industry leaders in chipset and core development, we remain at the forefront of innovation and new technology to deliver the optimal mix of packaging, high efficiency and unbeatable reliability. Our designs utilize high frequency, low core loss materials, new and custom core shapes in combination with innovative construction and packaging to provide designers with the highest performance parts available on the market.

Find Inductor Solutions Faster

Find Your Inductor - rfq@token.com.tw

Only timely and accurate information can help manage the changing needs of your customers. The Token Inductor Finder puts you only a click away from all of the inductor information you need.

Find Your Solution - rfq@token.com.tw

Selecting the correct inductor solution will not only save you time, but it will give you a competitive edge. At Token, we are committed to helping you find the most efficient alternative for your power design. Our inductor and power supply design experts can help you make that selection.

Please forward us:

- A brief description of your particular application's requirements.
- Details of an existing solution that you'd like to replace, enhance or find an alternative.
- Inquiries for feasibility to tailor a power transformer or inductor to your specific application.

We can also help you with any additional technical information you might need relating to any of our products.

Ask Us Today

