

# Low Profile Inductors

## Low DCR Inductors

## Power Inductors

### ► Preview

Power Inductors Feature Wide Inductance Range With Low DCR Low Profile. Token has unveiled (TPSRH-3D/4D/5D/6D) surface mount low-profile inductor series. Those compact devices feature ultra-low 2.0 mm to maximum 4.0 mm profile, with a wide inductance range and low direct current resistance (DCR).

Token enhances power wirewound inductor (TPSRH-3D/4D/5D/6D) family series covering complete footprint with profile from 1.8 mm to 8.0 mm, inductance from 1.00  $\mu$  to 1000.00  $\mu$ , low DCR, and Rated Current up to 10.0A.

Token (TPSRH-3D/4D/5D/6D) with wire wound and magnetically shielded construction offers a variety of characteristics and high performance. Customers can select the optimum characteristics by choosing from footprint, DCR, and a wide range of inductance values and tolerances with some types offering magnetic shielding.

The series is lead-free and RoHS compliant. Application of specific designs also available including different inductance and frequency specifications adjusted to requirements. Please contact our sales for more information.



[www.token.com.tw](http://www.token.com.tw)

### Selection Quick View :

- TPSRH3D16: (3.9x3.9x2.0 mm); 1.00 $\mu$ H ~ 33.00 $\mu$ H; DCR 0.030 $\Omega$  ~ 0.750 $\Omega$ ; IDC 2.00A ~ 0.30A.
- TPSRH3D18: (3.9x3.9x2.1 mm); 1.00 $\mu$ H ~ 47.00 $\mu$ H; DCR 0.056 $\Omega$  ~ 1.680 $\Omega$ ; IDC 2.50A ~ 0.35A.
- TPSRH3D28: (3.9x3.9x3.2 mm); 3.30 $\mu$ H ~ 47.00 $\mu$ H; DCR 0.072 $\Omega$  ~ 0.599 $\Omega$ ; IDC 2.00A ~ 0.48A.
- TPSRH4D18: (4.7x4.7x2.0 mm); 1.00 $\mu$ H ~ 180.00 $\mu$ H; DCR 0.045 $\Omega$  ~ 4.000 $\Omega$ ; IDC 1.72A ~ 0.14A.
- TPSRH4D28: (4.7x4.7x3.0 mm); 1.20 $\mu$ H ~ 390.00 $\mu$ H; DCR 0.0236 $\Omega$  ~ 2.830 $\Omega$ ; IDC 2.56A ~ 0.13A.
- TPSRH5D18: (5.7x5.7x2.0 mm); 4.10 $\mu$ H ~ 330.00 $\mu$ H; DCR 0.057 $\Omega$  ~ 4.340 $\Omega$ ; IDC 1.95A ~ 0.18A.
- TPSRH5D28: (5.7x5.7x3.0 mm); 2.60 $\mu$ H ~ 680.00 $\mu$ H; DCR 0.018 $\Omega$  ~ 4.150 $\Omega$ ; IDC 2.60A ~ 0.16A.
- TPSRH6D28: (6.7x6.7x3.0 mm); 3.00 $\mu$ H ~ 680.00 $\mu$ H; DCR 0.024 $\Omega$  ~ 5.150 $\Omega$ ; IDC 3.00A ~ 0.20A.
- TPSRH6D38: (6.7x6.7x4.0 mm); 3.30 $\mu$ H ~ 1000.00 $\mu$ H; DCR 0.020 $\Omega$  ~ 5.700 $\Omega$ ; IDC 3.50A ~ 0.20A.

# TOKEN TPSRH-3D/4D/5D/6D Low Profile Inductors

## Features :

- Rated DC Current: The current when the inductance becomes 35% lower than its initial value or the current when the temperature of inductor increases to  $\Delta 40^{\circ}\text{C}$ .
- The smaller one is defined as Rated DC Current. ( $T_a=25^{\circ}\text{C}$ ).
- Operating temperature range:  $-40^{\circ}\text{C} \sim 85^{\circ}\text{C}$ .
- Inductance (L): HP4284A Precision LCR meter.
- Direct Current Resistance (DCR): Milli-ohm meter. Electrical specifications at  $25^{\circ}\text{C}$ .

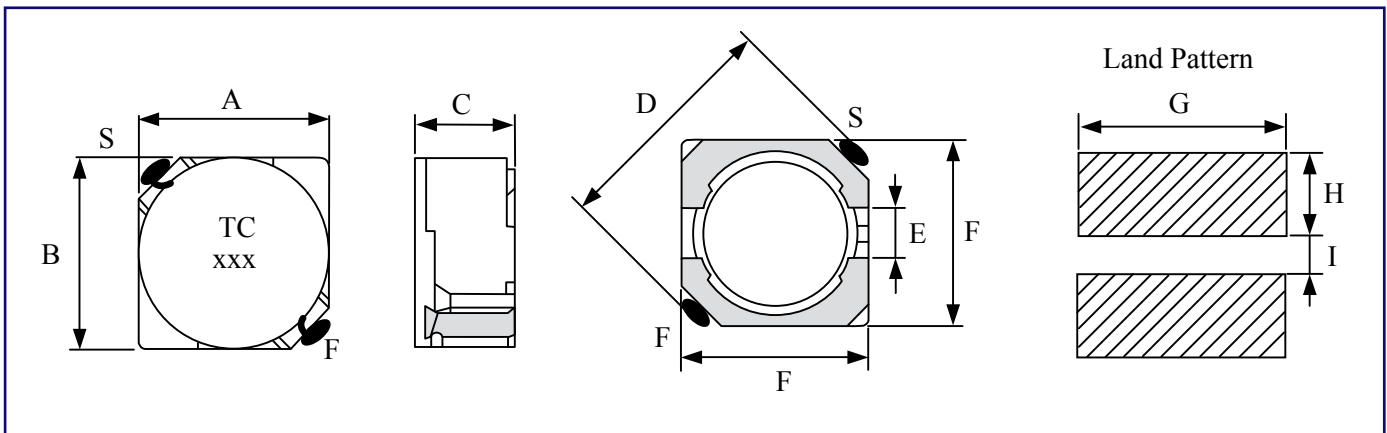
## Features :

- Large Current and Low DCR.
- Magnetically shielded construction.

## Applications :

- Mobilephone, Notebook, PDA, MP3, DSC/DVC.
- Portable communication equipments.
- DC-DC converters, LCD television set.

## Dimensions & Configurations (Unit: mm) (TPSRH-3D/4D/5D/6D)



Type	A $\pm 0.3$	B $\pm 0.3$	C(max)	D(max)	E(Ref.)	F(Ref.)	G	H	I
TPSRH3D16	3.9	3.9	2.0	5.6	1.0	3.5	4.6	1.60	1.4
TPSRH3D18	3.9	3.9	2.1	5.6	1.0	3.7	4.6	1.60	1.4
TPSRH3D28	3.9	3.9	3.2	5.6	1.0	3.7	4.6	1.60	1.4
TPSRH4D18	4.7	4.7	2.0	6.9	1.5	4.5	5.3	1.90	1.5
TPSRH4D28	4.7	4.7	3.0	6.9	1.5	4.5	5.3	1.90	1.5
TPSRH5D18	5.7	5.7	2.0	8.2	2.0	5.5	6.3	2.15	2.0
TPSRH5D28	5.7	5.7	3.0	8.2	2.0	5.5	6.3	2.15	2.0
TPSRH6D28	6.7	6.7	3.0	9.5	2.0	6.5	7.3	2.65	2.0
TPSRH6D38	6.7	6.7	4.0	9.5	2.0	6.5	7.3	2.65	2.0

**Note :** Design as Customer's Requested Specifications.

# **TOKEN TPSRH-3D/4D/5D/6D Low Profile Inductors**

## **Electrical Characteristics (TPSRH3D16)**

Part Number	Inductance ( $\mu$ H)	Test Freq. (KHz)	DCR ( $\Omega$ ) (max)	IDC (A) (max)
TPSRH3D16 - 1R0N	1.00	100	0.030	2.00
TPSRH3D16 - 1R5N	1.50	100	0.040	1.60
TPSRH3D16 - 1R8N	1.80	100	0.046	1.40
TPSRH3D16 - 2R2N	2.20	100	0.054	1.30
TPSRH3D16 - 2R7N	2.70	100	0.069	1.10
TPSRH3D16 - 3R3N	3.30	100	0.075	1.00
TPSRH3D16 - 3R9N	3.90	100	0.090	0.90
TPSRH3D16 - 4R7N	4.70	100	0.112	0.85
TPSRH3D16 - 5R6N	5.60	100	0.118	0.800
TPSRH3D16 - 6R8N	6.80	100	0.141	0.700
TPSRH3D16 - 8R2N	8.20	100	0.184	0.650
TPSRH3D16 - 100M	10.00	1	0.230	0.600
TPSRH3D16 - 120M	12.00	1	0.250	0.540
TPSRH3D16 - 150M	15.00	1	0.310	0.500
TPSRH3D16 - 180M	18.00	1	0.380	0.420
TPSRH3D16 - 220M	22.00	1	0.500	0.380
TPSRH3D16 - 270M	27.00	1	0.570	0.350
TPSRH3D16 - 330M	33.00	1	0.750	0.300

**Note:** Test Freq.: Under the 100uH at 100KHz / 0.25V; Above in the 100uH at 1KHz / 0.3V.  
Operating Temp. : -40°C ~ +85°C.  
Inductance drop = 35% typ. at IDC.

# **TOKEN TPSRH-3D/4D/5D/6D Low Profile Inductors**

## **Electrical Characteristics (TPSRH3D18)**

Part Number	Inductance ( $\mu$ H)	Test Freq. (KHz)	DCR ( $\Omega$ ) (max)	IDC (A) (max)
TPSRH3D18 - 1R0N	1.00	100	0.056	2.50
TPSRH3D18 - 1R5N	1.50	100	0.073	2.30
TPSRH3D18 - 1R8N	1.80	100	0.083	2.00
TPSRH3D18 - 2R2N	2.20	100	0.096	1.90
TPSRH3D18 - 2R7N	2.70	100	0.124	1.70
TPSRH3D18 - 3R3N	3.30	100	0.127	1.50
TPSRH3D18 - 3R9N	3.90	100	0.162	1.40
TPSRH3D18 - 4R7N	4.70	100	0.188	1.35
TPSRH3D18 - 5R6N	5.60	100	0.230	1.20
TPSRH3D18 - 6R8N	6.80	100	0.270	1.10
TPSRH3D18 - 100M	10.00	1	0.390	0.90
TPSRH3D18 - 120M	12.00	1	0.400	0.80
TPSRH3D18 - 150M	15.00	1	0.480	0.75
TPSRH3D18 - 180M	18.00	1	0.530	0.65
TPSRH3D18 - 220M	22.00	1	0.740	0.60
TPSRH3D18 - 270M	27.00	1	0.810	0.50
TPSRH3D18 - 330M	33.00	1	1.090	0.45
TPSRH3D18 - 390M	39.00	1	1.190	0.40
TPSRH3D18 - 470M	47.00	1	1.680	0.35

**Note:** Test Freq.: Under the 100uH at 100KHz / 0.25V; Above in the 100uH at 1KHz / 0.3V.  
Operating Temp. : -40°C ~ +85°C.  
Inductance drop = 35% typ. at IDC.

# **TOKEN TPSRH-3D/4D/5D/6D Low Profile Inductors**

## **Electrical Characteristics (TPSRH3D28)**

Part Number	Inductance ( $\mu$ H)	Test Freq. (KHz)	DCR ( $\Omega$ ) (max)	IDC (A) (max)
TPSRH3D28 - 3R3N	3.30	100	0.072	2.00
TPSRH3D28 - 4R7N	4.70	100	0.088	1.65
TPSRH3D28 - 6R8N	6.80	100	0.119	1.24
TPSRH3D28 - 100M	10.00	1	0.145	1.05
TPSRH3D28 - 150M	15.00	1	0.213	0.90
TPSRH3D28 - 220M	22.00	1	0.335	0.76
TPSRH3D28 - 330M	33.00	1	0.481	0.58
TPSRH3D28 - 470M	47.00	1	0.599	0.48

**Note:** Test Freq.: Under the 100uH at 100KHz / 0.25V; Above in the 100uH at 1KHz / 0.3V.  
Operating Temp. : -40°C ~ +85°C.  
Inductance drop = 35% typ. at IDC.

# **TOKEN TPSRH-3D/4D/5D/6D Low Profile Inductors**

## **Electrical Characteristics (TPSRH4D18)**

Part Number	Inductance ( $\mu\text{H}$ )	Test Freq. (KHz)	DCR ( $\Omega$ ) (max)	IDC (A) (max)
TPSRH4D18 - 1R0N	1.00	100	0.045	1.72
TPSRH4D18 - 2R2N	2.20	100	0.075	1.32
TPSRH4D18 - 2R7N	2.70	100	0.105	1.28
TPSRH4D18 - 3R3N	3.30	100	0.110	1.04
TPSRH4D18 - 3R9N	3.90	100	0.155	0.88
TPSRH4D18 - 4R7N	4.70	100	0.162	0.84
TPSRH4D18 - 5R6N	5.60	100	0.170	0.80
TPSRH4D18 - 6R8N	6.80	100	0.200	0.76
TPSRH4D18 - 8R2N	8.20	100	0.245	0.68
TPSRH4D18 - 100M	10.00	100	0.200	0.61
TPSRH4D18 - 120M	12.00	100	0.210	0.56
TPSRH4D18 - 150M	15.00	100	0.240	0.50
TPSRH4D18 - 180M	18.00	100	0.338	0.48
TPSRH4D18 - 220M	22.00	100	0.397	0.41
TPSRH4D18 - 270M	27.00	100	0.441	0.35
TPSRH4D18 - 330M	33.00	100	0.694	0.32
TPSRH4D18 - 390M	39.00	100	0.709	0.30
TPSRH4D18 - 470M	47.00	100	0.922	0.28
TPSRH4D18 - 560M	56.00	100	1.080	0.26
TPSRH4D18 - 680M	68.00	100	1.300	0.24
TPSRH4D18 - 820M	82.00	100	1.550	0.22
TPSRH4D18 - 101M	100.00	100	1.730	0.20
TPSRH4D18 - 121M	120.00	100	2.390	0.18
TPSRH4D18 - 151M	150.00	100	2.670	0.15
TPSRH4D18 - 181M	180.00	100	4.000	0.14

**Note:** Test Freq.: 100KHz / 0.1V.

Operating Temp. : -40°C ~ +85°C.

Inductance drop = 35% typ. at IDC.

# **TOKEN TPSRH-3D/4D/5D/6D Low Profile Inductors**

## ▶ Electrical Characteristics (TPSRH4D28)

Part Number	Inductance ( $\mu\text{H}$ )	Test Freq. (KHz)	DCR ( $\Omega$ ) (max)	IDC (A) (max)
TPSRH4D28 - 1R2N	1.20	100	0.0236	2.56
TPSRH4D28 - 1R8N	1.80	100	0.0275	2.20
TPSRH4D28 - 2R2N	2.20	100	0.0313	2.04
TPSRH4D28 - 2R7N	2.70	100	0.0433	1.60
TPSRH4D28 - 3R3N	3.30	100	0.0492	1.57
TPSRH4D28 - 3R9N	3.90	100	0.0648	1.44
TPSRH4D28 - 4R7N	4.70	100	0.0720	1.32
TPSRH4D28 - 5R6N	5.60	100	0.1009	1.17
TPSRH4D28 - 6R8N	6.80	100	0.1089	1.12
TPSRH4D28 - 8R2N	8.20	100	0.1175	1.04
TPSRH4D28 - 100M	10.00	100	0.1283	1.00
TPSRH4D28 - 120M	12.00	100	0.1316	0.84
TPSRH4D28 - 150M	15.00	100	0.1490	0.76
TPSRH4D28 - 180M	18.00	100	0.1660	0.72
TPSRH4D28 - 220M	22.00	100	0.2350	0.70
TPSRH4D28 - 270M	27.00	100	0.2610	0.58
TPSRH4D28 - 330M	33.00	100	0.3780	0.56
TPSRH4D28 - 390M	39.00	100	0.3837	0.50
TPSRH4D28 - 470M	47.00	100	0.5870	0.48
TPSRH4D28 - 560M	56.00	100	0.6245	0.41
TPSRH4D28 - 680M	68.00	100	0.6990	0.35
TPSRH4D28 - 820M	82.00	100	0.9148	0.32
TPSRH4D28 - 101M	100.00	100	1.020	0.29
TPSRH4D28 - 121M	120.00	100	1.270	0.27
TPSRH4D28 - 151M	150.00	100	1.350	0.24
TPSRH4D28 - 181M	180.00	100	1.540	0.22
TPSRH4D28 - 221M	220.00	100	1.720	0.20
TPSRH4D28 - 271M	270.00	100	1.950	0.16
TPSRH4D28 - 331M	330.00	100	2.660	0.14
TPSRH4D28 - 391M	390.00	100	2.830	0.13

**Note:** Test Freq.: 100KHz / 0.1V.  
 Operating Temp. : -40°C ~ +85°C.  
 Inductance drop = 35% typ. at IDC.

# **TOKEN TPSRH-3D/4D/5D/6D Low Profile Inductors**

## **Electrical Characteristics (TPSRH5D18)**

Part Number	Inductance ( $\mu$ H)	Test Freq. (KHz)	DCR ( $\Omega$ ) (max)	IDC (A) (max)
TPSRH5D18 - 4R1N	4.10	10	0.057	1.95
TPSRH5D18 - 5R4N	5.40	10	0.076	1.60
TPSRH5D18 - 6R2N	6.20	10	0.096	1.40
TPSRH5D18 - 8R9N	8.90	10	0.116	1.25
TPSRH5D18 - 100M	10.00	10	0.124	1.20
TPSRH5D18 - 120M	12.00	10	0.153	1.10
TPSRH5D18 - 150M	15.00	10	0.196	0.97
TPSRH5D18 - 180M	18.00	10	0.210	0.85
TPSRH5D18 - 220M	22.00	10	0.290	0.80
TPSRH5D18 - 270M	27.00	10	0.330	0.75
TPSRH5D18 - 330M	33.00	10	0.386	0.65
TPSRH5D18 - 390M	39.00	10	0.520	0.57
TPSRH5D18 - 470M	47.00	10	0.595	0.54
TPSRH5D18 - 560M	56.00	10	0.665	0.50
TPSRH5D18 - 680M	68.00	10	0.840	0.43
TPSRH5D18 - 820M	82.00	10	0.978	0.41
TPSRH5D18 - 101M	100.00	10	1.200	0.36
TPSRH5D18 - 121M	120.00	10	1.500	0.33
TPSRH5D18 - 151M	150.00	10	1.710	0.31
TPSRH5D18 - 181M	180.00	10	2.240	0.28
TPSRH5D18 - 221M	220.00	10	2.440	0.23
TPSRH5D18 - 271M	270.00	10	3.380	0.21
TPSRH5D18 - 331M	330.00	10	4.340	0.18

**Note:** Test Freq.: 10KHz / 0.1V.  
Operating Temp. : -40°C ~ +85°C.  
Inductance drop = 35% typ. at IDC.



# **TOKEN TPSRH-3D/4D/5D/6D Low Profile Inductors**

## ▶ Electrical Characteristics (TPSRH5D28)

Part Number	Inductance ( $\mu\text{H}$ )	Test Freq. (KHz)	DCR ( $\Omega$ ) (max)	IDC (A) (max)
TPSRH5D28 - 2R6N	2.60	10	0.018	2.60
TPSRH5D28 - 3R0N	3.00	10	0.024	2.40
TPSRH5D28 - 4R2N	4.20	10	0.031	2.20
TPSRH5D28 - 5R3N	5.30	10	0.038	1.90
TPSRH5D28 - 6R2N	6.20	10	0.045	1.80
TPSRH5D28 - 8R2N	8.20	10	0.053	1.60
TPSRH5D28 - 100M	10.00	10	0.065	1.30
TPSRH5D28 - 120M	12.00	10	0.076	1.20
TPSRH5D28 - 150M	15.00	10	0.103	1.10
TPSRH5D28 - 180M	18.00	10	0.110	1.00
TPSRH5D28 - 220M	22.00	10	0.122	0.90
TPSRH5D28 - 270M	27.00	10	0.175	0.85
TPSRH5D28 - 330M	33.00	10	0.189	0.75
TPSRH5D28 - 390M	39.00	10	0.212	0.70
TPSRH5D28 - 470M	47.00	10	0.260	0.62
TPSRH5D28 - 560M	56.00	10	0.305	0.58
TPSRH5D28 - 680M	68.00	10	0.355	0.52
TPSRH5D28 - 820M	82.00	10	0.463	0.46
TPSRH5D28 - 101M	100.00	10	0.520	0.42
TPSRH5D28 - 121M	120.00	10	0.560	0.40
TPSRH5D28 - 151M	150.00	10	0.680	0.35
TPSRH5D28 - 181M	180.00	10	0.930	0.32
TPSRH5D28 - 221M	220.00	10	1.150	0.30
TPSRH5D28 - 271M	270.00	10	1.560	0.27
TPSRH5D28 - 331M	330.00	10	1.980	0.25
TPSRH5D28 - 391M	390.00	10	2.500	0.22
TPSRH5D28 - 471M	470.00	10	2.700	0.20
TPSRH5D28 - 561M	560.00	10	3.120	0.18
TPSRH5D28 - 681M	680.00	10	4.150	0.16

**Note:** Test Freq.: 10KHz / 0.1V.  
 Operating Temp. : -40°C ~ +85°C.  
 Inductance drop = 35% typ. at IDC.

# **TOKEN TPSRH-3D/4D/5D/6D Low Profile Inductors**

## **Electrical Characteristics (TPSRH6D28)**

Part Number	Inductance ( $\mu\text{H}$ )	Test Freq. (KHz)	DCR ( $\Omega$ ) (max)	IDC (A) (max)
TPSRH6D28 - 3R0N	3.00	10	0.024	3.00
TPSRH6D28 - 3R9N	3.90	10	0.027	2.60
TPSRH6D28 - 5R0N	5.00	10	0.031	2.40
TPSRH6D28 - 6R0N	6.00	10	0.035	2.25
TPSRH6D28 - 7R3N	7.30	10	0.054	2.10
TPSRH6D28 - 8R6N	8.60	10	0.058	1.85
TPSRH6D28 - 100M	10.00	10	0.065	1.70
TPSRH6D28 - 120M	12.00	10	0.070	1.55
TPSRH6D28 - 150M	15.00	10	0.084	1.40
TPSRH6D28 - 180M	18.00	10	0.095	1.32
TPSRH6D28 - 220M	22.00	10	0.128	1.20
TPSRH6D28 - 270M	27.00	10	0.142	1.05
TPSRH6D28 - 330M	33.00	10	0.165	0.97
TPSRH6D28 - 390M	39.00	10	0.210	0.86
TPSRH6D28 - 470M	47.00	10	0.238	0.80
TPSRH6D28 - 560M	56.00	10	0.277	0.73
TPSRH6D28 - 680M	68.00	10	0.304	0.65
TPSRH6D28 - 820M	82.00	10	0.390	0.60
TPSRH6D28 - 101M	100.00	10	0.535	0.54
TPSRH6D28 - 121M	120.00	10	0.750	0.51
TPSRH6D28 - 151M	150.00	10	0.950	0.47
TPSRH6D28 - 181M	180.00	10	1.200	0.41
TPSRH6D28 - 221M	220.00	10	1.500	0.37
TPSRH6D28 - 271M	270.00	10	1.700	0.33
TPSRH6D28 - 331M	330.00	10	2.150	0.28
TPSRH6D28 - 391M	390.00	10	2.250	0.27
TPSRH6D28 - 471M	470.00	10	3.150	0.21
TPSRH6D28 - 561M	560.00	10	3.750	0.20
TPSRH6D28 - 681M	680.00	10	5.150	0.20

**Note:** Test Freq.: 10KHz / 0.1V.

Operating Temp. : -40°C ~ +85°C.

Inductance drop = 35% typ. at IDC.

# **TOKEN TPSRH-3D/4D/5D/6D Low Profile Inductors**

## **Electrical Characteristics (TPSRH6D38)**

Part Number	Inductance ( $\mu\text{H}$ )	Test Freq. (KHz)	DCR ( $\Omega$ ) (max)	IDC (A) (max)
TPSRH6D38 - 3R3N	3.30	10	0.020	3.50
TPSRH6D38 - 5R0N	5.00	10	0.024	2.90
TPSRH6D38 - 6R2N	6.20	10	0.027	2.50
TPSRH6D38 - 7R4N	7.40	10	0.031	2.30
TPSRH6D38 - 8R7N	8.70	10	0.034	2.20
TPSRH6D38 - 100M	10.00	10	0.038	2.00
TPSRH6D38 - 120M	12.00	10	0.053	1.70
TPSRH6D38 - 150M	15.00	10	0.057	1.60
TPSRH6D38 - 180M	18.00	10	0.092	1.50
TPSRH6D38 - 220M	22.00	10	0.096	1.30
TPSRH6D38 - 270M	27.00	10	0.109	1.20
TPSRH6D38 - 330M	33.00	10	0.124	1.10
TPSRH6D38 - 390M	39.00	10	0.138	1.00
TPSRH6D38 - 470M	47.00	10	0.155	0.95
TPSRH6D38 - 560M	56.00	10	0.202	0.85
TPSRH6D38 - 680M	68.00	10	0.234	0.75
TPSRH6D38 - 820M	82.00	10	0.324	0.70
TPSRH6D38 - 101M	100.00	10	0.358	0.65
TPSRH6D38 - 121M	120.00	10	0.470	0.59
TPSRH6D38 - 151M	150.00	10	0.580	0.54
TPSRH6D38 - 181M	180.00	10	0.690	0.49
TPSRH6D38 - 221M	220.00	10	0.890	0.43
TPSRH6D38 - 271M	270.00	10	1.290	0.40
TPSRH6D38 - 331M	330.00	10	1.700	0.37
TPSRH6D38 - 391M	390.00	10	1.750	0.34
TPSRH6D38 - 471M	470.00	10	2.200	0.32
TPSRH6D38 - 561M	560.00	10	2.850	0.29
TPSRH6D38 - 681M	680.00	10	3.200	0.25
TPSRH6D38 - 821M	820.00	10	4.050	0.22
TPSRH6D38 - 102M	1000.00	10	5.700	0.20

**Note:** Test Freq.: 10KHz / 0.1V.  
 Operating Temp. : -40°C ~ +85°C.  
 Inductance drop = 35% typ. at IDC.

## ▶ How to Order

TPSRH4D18

❶

1R0

❷

M

❸

❶ Part Number: TPSRH3D16, TPSRH3D18, TPSRH3D2,  
TPSRH4D18, TPSRH4D28, TPSRH5D18,  
TPSRH5D28, TPSRH6D28, TPSRH6D38

❷ Inductance

Code	Inductance
1R0	1.00 $\mu$ H
120	12.00 $\mu$ H
121	120.00 $\mu$ H

❸ Tolerance

Code	Tolerance
K	10%
L	15%
M	20%
N	30%

*[Back to 1st Page - Low Profile Low DCR Power Inductor\(TTPSRH-3D/4D/5D/6D\)](#)*