

# High Current Inductors

## Wire-Wound Inductors

## Power Inductors

### ▶ Preview

Token Surface Mount Power Inductors Offer High Current Handling. Both TPSRH8D28 and TPSRH8D43 are directly connected electrode on ferrite core with excellent property and high saturation for surface mounting. The TPSRH8D28 offers low profile height 3.0 mm and TPSRH8D43 height 4.5 mm inductance range from 2.00 $\mu$ H to 100.00 $\mu$ H, low direct current resistance (DCR) down to 0.014 $\Omega$ , and high current up to IDC 7.00A.

Token enhances chip power wirewound inductor TPSRH family series covering complete footprint with profile from 1.8 mm to 8.0 mm, inductance from 1.00  $\mu$  to 1000.00  $\mu$ , low DCR, and Rated Current up to

Token TPSRH with wire wound and magnetically shielded construction offers a variety of characteristics and high performance. Customers can select the optimum characteristics by choosing from footprint, DCR, and a wide range of inductance values and tolerances with some types offering magnetic shielding.

The series is lead-free and RoHS compliant. Application of specific designs also available including different inductance and frequency specifications adjusted to requirements. Please contact our sales for more information.

### Selection Quick View :

- TPSRH8D28: (8.3x8.3x3.0 mm); 2.50 $\mu$ H ~ 100.00 $\mu$ H; DCR 0.015 $\Omega$  ~ 0.410 $\Omega$ ; IDC 4.50A ~ 0.75A.
- TPSRH8D43: (8.3x8.3x4.5 mm); 2.00 $\mu$ H ~ 100.00 $\mu$ H; DCR 0.014 $\Omega$  ~ 0.360 $\Omega$ ; IDC 7.00A ~ 1.30A.

### Features :

- Large Current and Low DCR.
- Magnetically shielded construction.

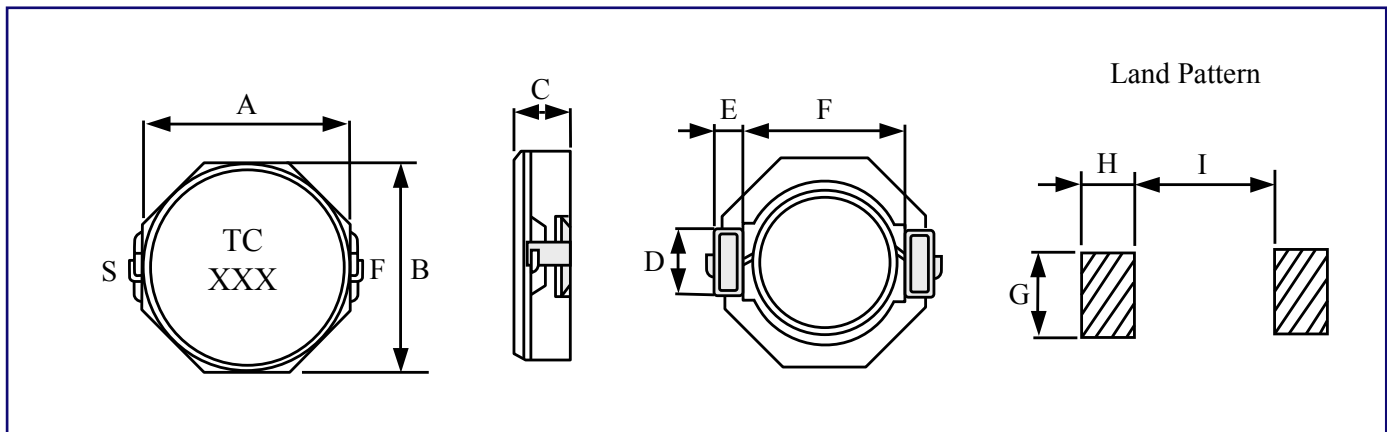
### Applications :

- Mobilephone, Notebook, PDA, MP3, DSC/DVC.
- Portable communication equipments.
- DC-DC converters, LCD television set.



[www.token.com.tw](http://www.token.com.tw)

**▶ Chip Wirewound Large Current (TPSRH8D28, TPSRH8D43) Dimensions & Configurations**



型號	A(max)	B(max)	C(max)	D	E	F	G	H	I
TPSRH8D28	8.3	8.3	3.0	2.5	1.2	6.3	2.8	2.0	6.1
TPSRH8D43	8.3	8.3	4.5	2.5	1.2	6.3	2.8	2.0	6.1

**Note :** Design as Customer's Requested Specifications.

**▶ Chip Wirewound Large Current (TPSRH8D28) Electrical Characteristics**

Part Number	Inductance ( $\mu$ H)	Test Freq. (KHz)	DCR ( $\Omega$ ) (max)	IDC (A) (max)	Irms (A)(max)
TPSRH8D28 - 2R5N	2.50	100	0.015	4.50	4.90
TPSRH8D28 - 3R3N	3.30	100	0.018	4.00	4.40
TPSRH8D28 - 4R7N	4.70	100	0.024	3.40	4.10
TPSRH8D28 - 7R3N	7.30	100	0.038	2.80	3.10
TPSRH8D28 - 100N	10.00	100	0.042	2.30	2.80
TPSRH8D28 - 150N	15.00	100	0.066	1.90	2.10
TPSRH8D28 - 220N	22.00	100	0.095	1.60	1.80
TPSRH8D28 - 330N	33.00	100	0.150	1.30	1.30
TPSRH8D28 - 470N	47.00	100	0.190	1.15	1.10
TPSRH8D28 - 680M	68.00	100	0.280	0.92	0.83
TPSRH8D28 - 101M	100.00	100	0.410	0.75	0.70

**Note:** Test Freq.: 100KHz / 1V.  
 Operating Temp.: -40°C ~ +85°C.  
 Inductance drop=35% typ. at IDC.  
 Δ40°C at Irms.

## Electrical Characteristics (TPSRH104R)

Part Number	Inductance (μH)	Test Freq. (KHz)	DCR (Ω) (max)	IDC (A) (max)	Irms (A)(max)
TPSRH8D43 - 2R0N	2.00	100	0.014	7.00	6.40
TPSRH8D43 - 3R9N	3.90	100	0.019	5.90	5.00
TPSRH8D43 - 4R7N	4.70	100	0.022	5.60	4.60
TPSRH8D43 - 6R8N	6.80	100	0.025	4.40	4.20
TPSRH8D43 - 100N	10.00	100	0.036	4.00	3.60
TPSRH8D43 - 150N	15.00	100	0.053	2.90	2.65
TPSRH8D43 - 220N	22.00	100	0.075	2.60	2.10
TPSRH8D43 - 330N	33.00	100	0.125	2.25	1.60
TPSRH8D43 - 470N	47.00	100	0.150	1.80	1.45
TPSRH8D43 - 680N	68.00	100	0.240	1.50	1.20
TPSRH8D43 - 101N	100.00	100	0.360	1.30	0.92

**Note:** Test Freq.: 100KHz / 1V.  
 Operating Temp.: -40°C ~ +85°C.  
 Inductance drop=35% typ. at IDC.  
 Δ40°C at Irms.

## How to Order

TPSRH8D28

❶

1R0

❷

M

❸

❶ Part Number: TPSRH8D28, TPSRH8D43

❷ Inductance

Code	Inductance
2R0	2.00μH
100	10.00μH
101	100.00μH

❸ Tolerance

Code	Tolerance
K	10%
L	15%
M	20%
N	30%

*Back to 1st Page - High Current Inductors Wire-Wound Inductors (TPSRH-8D28/8D43)*