

Version:  
January 13, 2017



# TOKEN

## Saw Package Dimensions

### **Token Electronics Industry Co., Ltd.**

**Taiwan:** No.137, Sec. 1, Zhongxing Rd., Wugu District,  
New Taipei City, Taiwan, R.O.C. 24872  
Tel: +886 2981 0109 Fax: +886 2988 7487

**China:** 12F, Zhong Xing Industry Bld., Chuang Ye Road,  
Nan Shan District, Shen Zhen City,  
Guang Dong, China 518054  
Tel: +86 755 26055363; Fax: +86 755 26055365

[Web: www.token.com.tw](http://www.token.com.tw)

[Email: rfq@token.com.tw](mailto:rfq@token.com.tw)



## Encapsulation Type

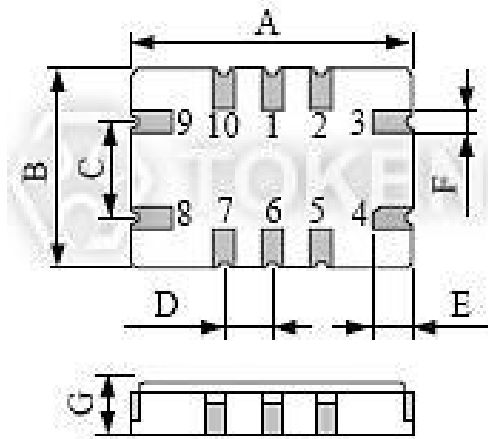
### Saw Resonators & Filters Encapsulation Type

SMD Type		DIP Type	
Package Type	Code	Package Type	Code
SMP-03	S1	TO-39	D1
SMP-53	S2	F-11	D2
SMP-53-S	S3	D-11	D3
QCC8C	S4	SIP5T	D4
QCC4A	S5	TO39-2	D5
QCC8B	S6		
DCC6	S7		
QCC8D	S8		
DCC6C	S9		
ARC11A	S10		
F11SMD	S11		

## SMP-03

### Package Dimensions (Unit: mm) (SMP-03)

Type	A	B	C	D	E	F	G
SMP-03	7.0	5.0	2.54	1.27	1.0	0.6	1.5

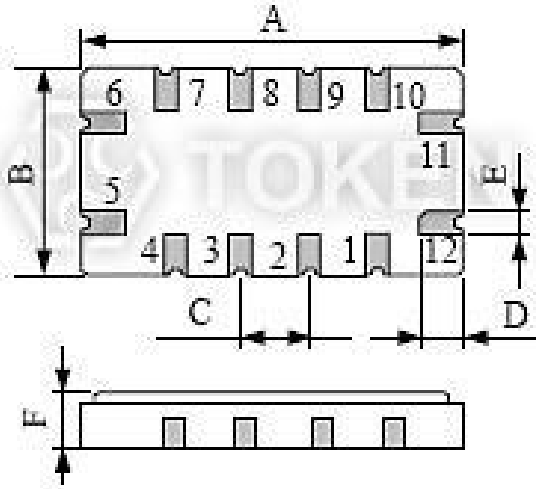


SAW (SMP-03) Dimensions

## SMP-53

### Package Dimensions (Unit: mm) (SMP-53)

Type	A	B	C	D	E	F
SMP-53	13.3	6.5	2.54	1.5	0.8	1.5



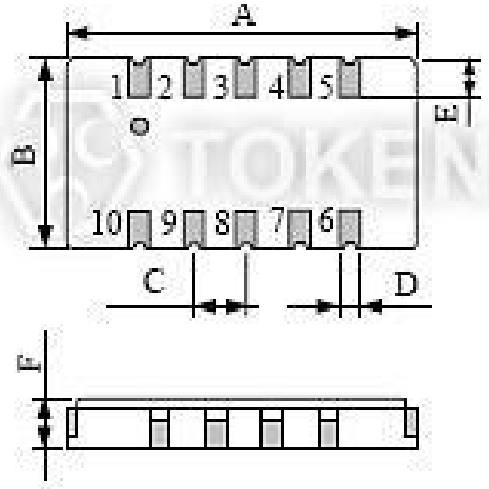
The diagram shows the SAW (SMP-53) dimensions. It includes a top view and a side view. The top view shows a rectangular package with 12 numbered pads (1-12) and dimensions A, B, C, D, and E. The side view shows the thickness of the package, dimension F.

SAW (SMP-53) Dimensions

## SMP-53-S

### Package Dimensions (Unit: mm) (SMP-53-S)

Type	A	B	C	D	E	F
SMP-53-S	13.3	6.5	1.91	1.02	1.8	1.55



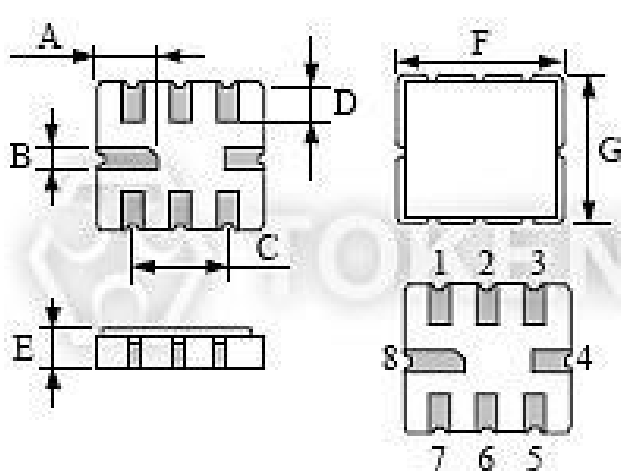
The diagram shows the SAW (SMP-53-S) dimensions. It includes a top view and a side view. The top view shows a rectangular package with 10 numbered pads (1-10) and dimensions A, B, C, D, and E. The side view shows the thickness of the package, dimension F.

SAW (SMP-53-S) Dimensions

## QCC8C

### Package Dimensions (Unit: mm) (QCC8C)

Type	A	B	C	D	E	F	G
QCC8C	2.08	0.6	2.54	1.2	1.4	5.0	5.0

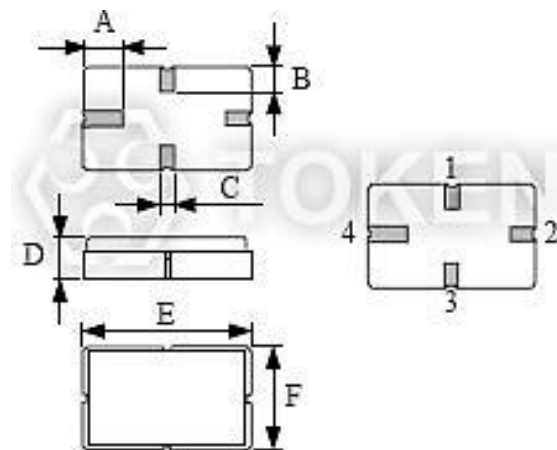


SAW (QCC8C) Dimensions

## QCC4A

### Package Dimensions (Unit: mm) (QCC4A)

Type	A	B	C	D	E	F
QCC4A	1.2	0.8×3	0.5×4	1.4	5.0	3.5

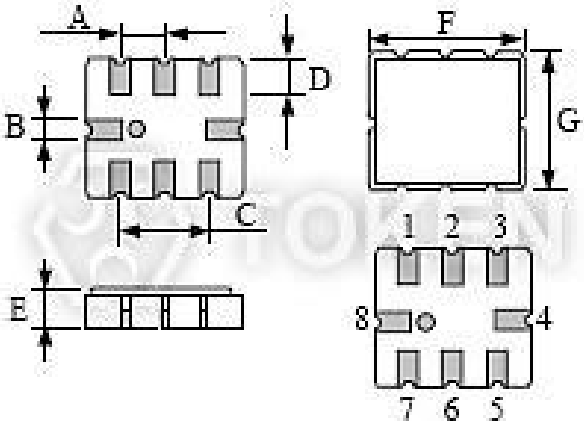


SAW (QCC4A) Dimensions

## QCC8B

### Package Dimensions (Unit: mm) (QCC8B)

Type	A	B	C	D	E	F	G
QCC8B	1.27	0.6	2.54	1.0	1.5	3.8	3.8

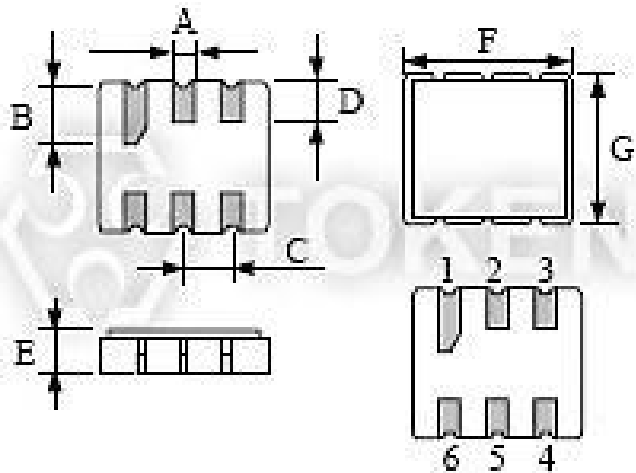


SAW (QCC8B) Dimensions

## DCC6

### Package Dimensions (Unit: mm) (DCC6)

Type	A	B	C	D	E	F	G
DCC6	0.64	1.9	1.27	1.0	1.4	3.8	3.8

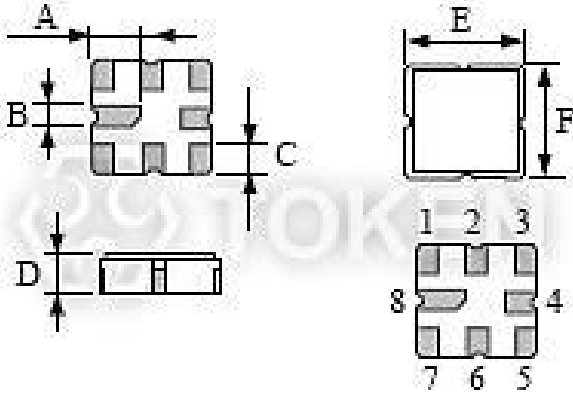


SAW (DCC6) Dimensions

## QCC8D

### Package Dimensions (Unit: mm) (QCC8D)

Type	A	B	C	D	E	F
QCC8D	1.2	0.6	0.75	1.1	3.0	3.0

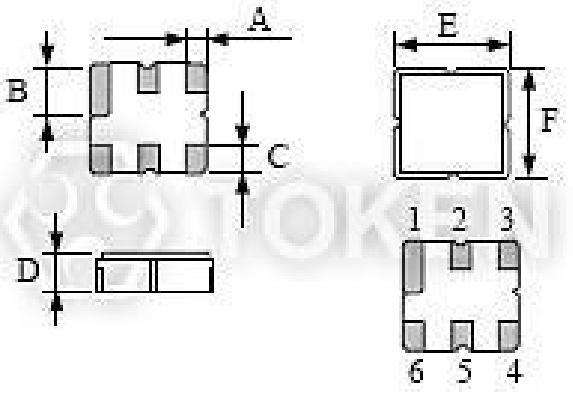


SAW (QCC8D) Dimensions

## DCC6C

### Package Dimensions (Unit: mm) (DCC6C)

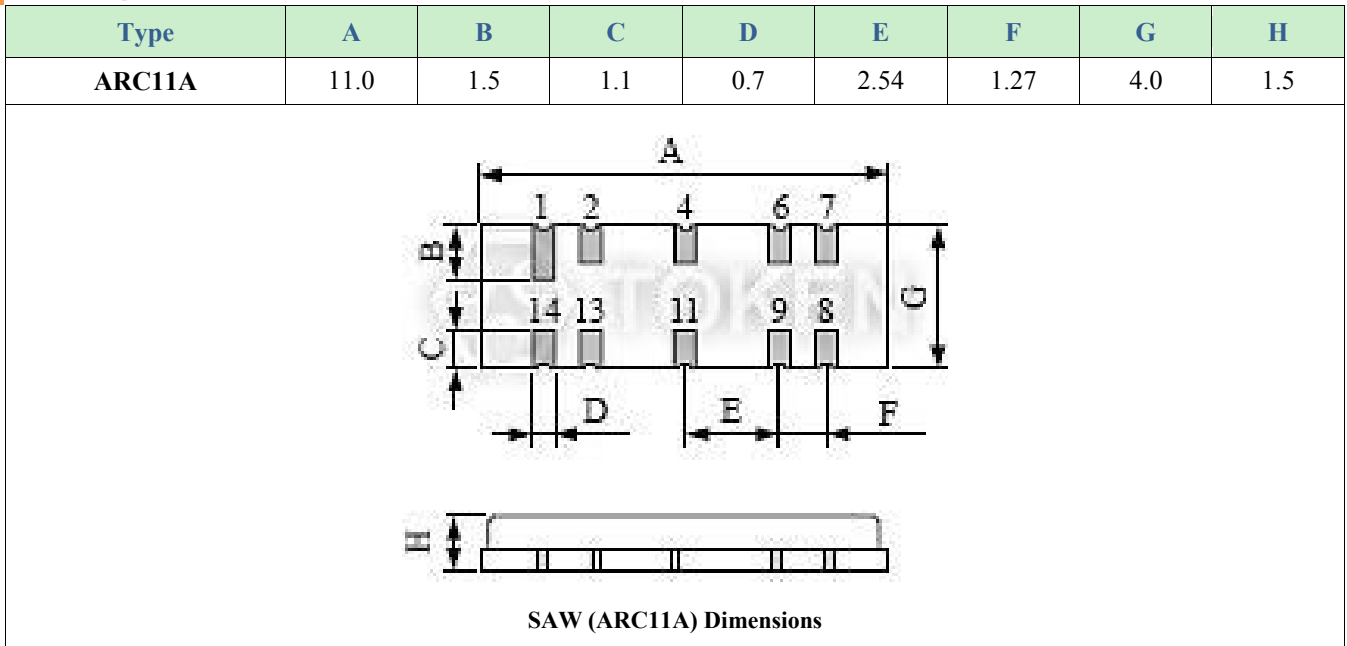
Type	A	B	C	D	E	F
DCC6C	0.6	1.5	0.75	1.3	3.0	3.0



SAW (DCC6C) Dimensions

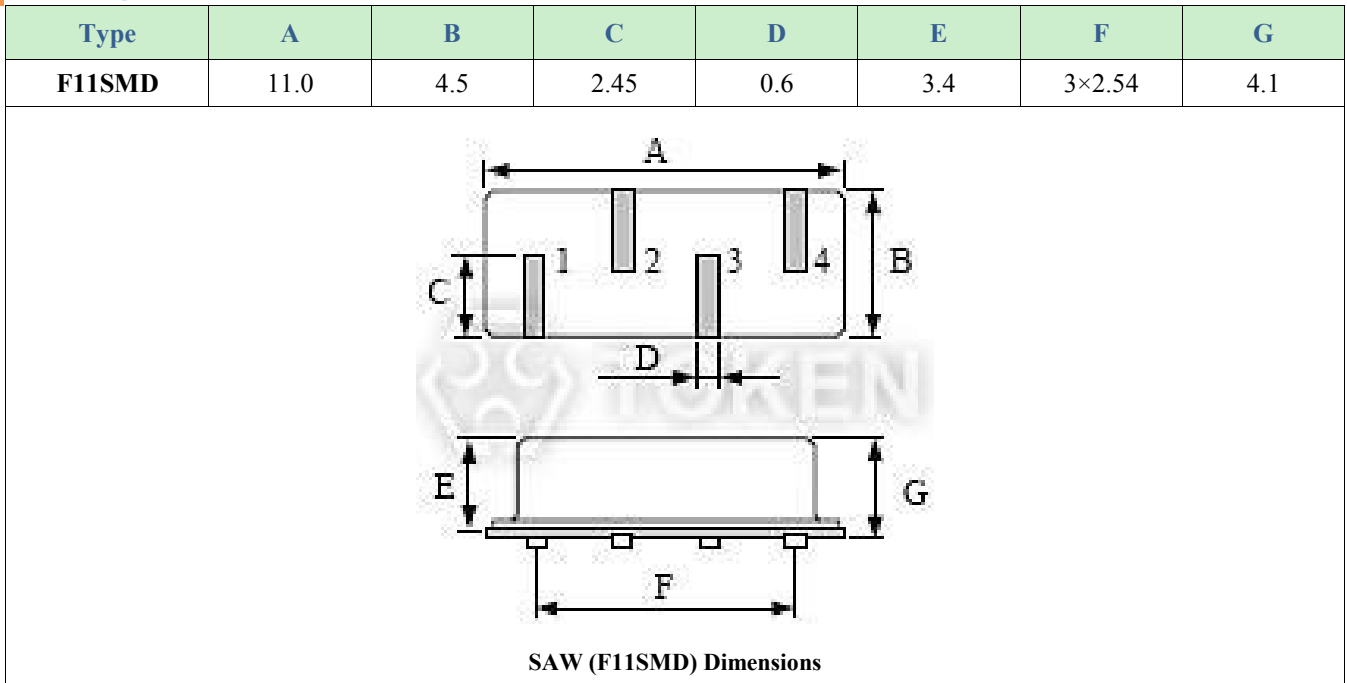
## ARC11A

### Package Dimensions (Unit: mm) (ARC11A)



## F11SMD

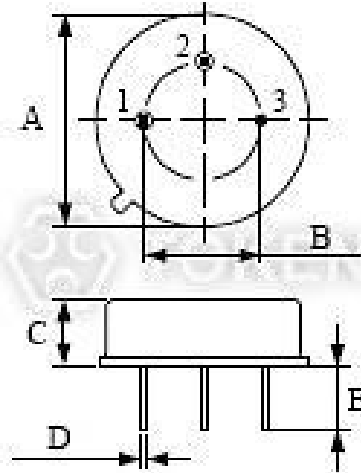
### Package Dimensions (Unit: mm) (F11SMD)



## TO-39

### Package Dimensions (Unit: mm) (TO-39)

Type	A	B	C	D	E
TO-39	Φ9.15	Φ5.08	3.3	Φ0.45	3.0

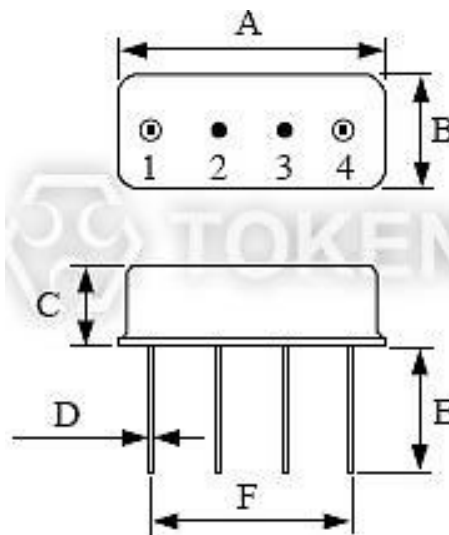


SAW (TO-39) Dimensions

## F-11

### Package Dimensions (Unit: mm) (F-11)

Type	A	B	C	D	E	F
F-11	11.0	4.5	3.4	Φ0.5	5.0	3×2.54



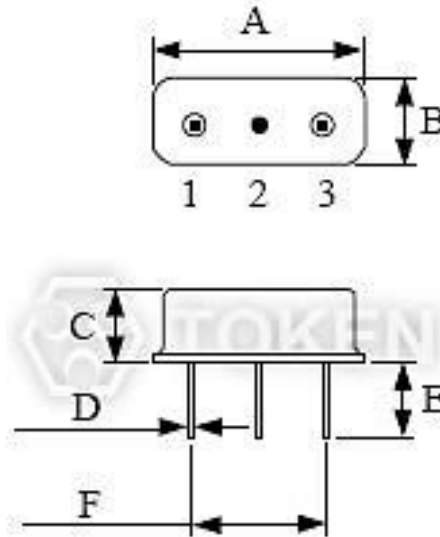
SAW (F-11) Dimensions



## D-11

### Package Dimensions (Unit: mm) (D-11)

Type	A	B	C	D	E	F
D-11	8.36	3.45	3.0	Φ0.45	3.0	2×2.54

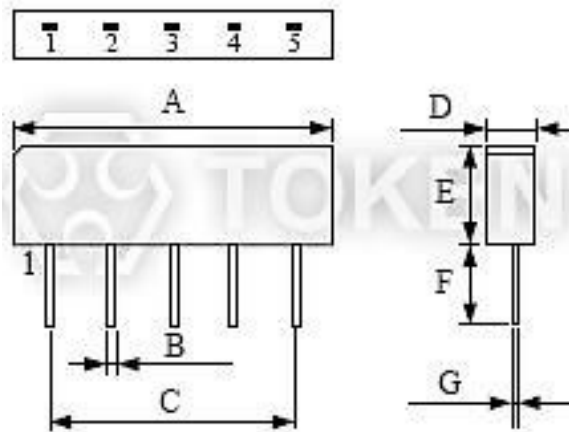


SAW (D-11) Dimensions

## SIP5T

### Package Dimensions (Unit: mm) (SIP5T)

Type	A	B	C	D	E	F	G
SIP5T	13.8	0.55	4×2.54	2.6	4.8	3.5	0.25

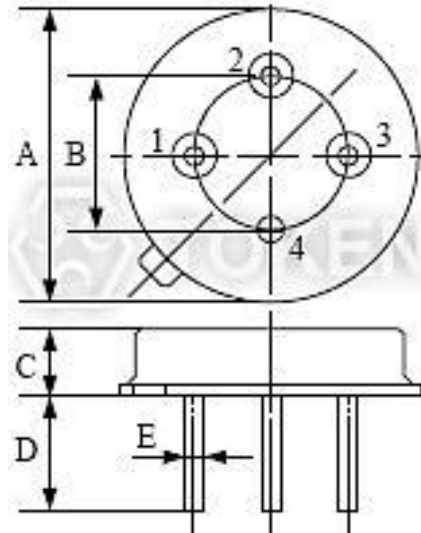


SAW (SIP5T) Dimensions

## TO39-2

### Package Dimensions (Unit: mm) (TO39-2)

Type	A	B	C	D	E
TO39-2	9.35±0.10	5.08±0.10	3.40±0.10	3.00±0.20	4-Φ0.45±0.20



SAW (TO39-2) Dimensions